

DS-2DE2C400MWG-E 4 MP Smart Hybrid Light Mini PT Network Camera



- High quality imaging with 4 MP resolution
- Support Human Detection and Auto-tracking Lite
- Smart Hybrid Light: advanced technology with long range
- Hik-Connect cloud service and APP for remote management and views of devices
- Built-in microphone and speaker for real-time audio security
- Built-in memory card slot, support microSD/SDHC/SDXC card, up to 512 GB
- Water and dust resistant (IP66)

▪ Specification

Camera	
Image Sensor	1/3" Progressive Scan CMOS
Max. Resolution	2560 × 1440
Min. Illumination	Color: 0.01 Lux @ (F2.0, AGC ON), B/W: 0.005 Lux @ (F1.6, AGC ON), 0 Lux with light
Lens	
Focal Length	2.8 mm, 4 mm
FOV	2.8 mm, horizontal FOV 94°, vertical FOV 49°, diagonal FOV 114° 4 mm, horizontal FOV 70°, vertical FOV 35°, diagonal FOV 85°
Aperture	F1.6
Illuminator	
Supplement Light Type	IR, White Light
Supplement Light Range	White light distance: up to 30 m, IR distance: up to 30 m
IR Wavelength	850 nm
PTZ	
Movement Range (Pan)	0° to 345°
Movement Range (Tilt)	0° to 80°
Pan Speed	Up to 25°/s
Tilt Speed	Up to 20°/s
Video	
Main Stream	50 Hz: 20 fps (2560 × 1440, 1920 × 1080, 1280 × 720) 60 Hz: 20 fps (2560 × 1440, 1920 × 1080, 1280 × 720)
Sub-Stream	50 Hz: 25 fps (1280 × 720, 640 × 480, 640 × 360) 60 Hz: 24 fps (1280 × 720, 640 × 480, 640 × 360)
Video Compression	H.265, H.264, MJPEG
Video Bit Rate	32 Kbps to 8 Mbps
H.264 Type	Baseline profile, Main profile, High profile
H.265 Type	Main profile
Audio	
Audio Compression	G.711/G.722.1/G.726/MP2L2/PCM//AAC-LC
Audio Bit Rate	16 Kbps (G.722.1)/64 Kbps (G.711)/32 to 192 Kbps (MP2L2)/16 Kbps (G.726)/16 to 64 Kbps (AAC-LC)/8 to 48 Kbps (PCM)
Audio Sampling Rate	8 kHz, 16 kHz
Environment Noise Filtering	Yes
Network	
Protocols	IPv4/IPv6, HTTP, HTTPS, QoS, FTP, SMTP, UPnP, DNS, NTP, RTSP, RTP, TCP/IP, UDP, DHCP, Bonjour
API	ONVIF (Profile S, Profile G, Profile T), ISAPI, SDK, ISUP
Image	
Image Settings	Saturation, brightness, contrast, and sharpness adjustable by client software or web browser
Wide Dynamic Range (WDR)	Digital WDR
Image Enhancement	BLC, HLC, 3D DNR

Interface	
Ethernet Interface	1 RJ45 10 M/100 M self-adaptive Ethernet port
Built-in Microphone	1 built-in microphone
On-board Storage	Built-in memory card slot, support microSD/microSDHC/microSDXC card, up to 512 GB
Built-in Speaker	1 built-in speaker
Event	
Basic Event	Motion detection (support alarm triggering by specified target type (human)), video tampering alarm, exception
Linkage	Upload to FTP/memory card, notify surveillance center, send email, trigger capture, audible warning, auto-tracking lite
General	
Power	12 VDC \pm 25%, 0.75 A, max. 9 W, \varnothing 5.5 mm coaxial power plug, reverse polarity protection, PoE: IEEE 802.3af, 36 V to 57 V, 0.2 A to 0.3 A, max. 10.5 W
Dimension	Camera dimension: 163.9 mm \times 185.8 mm \times 131.9 mm (6.45" \times 7.31" \times 5.19") With package dimension: 224 mm \times 164 mm \times 230 mm (8.82" \times 6.46" \times 9.06")
Weight	Camera weight: 600 g (1.32 lb.) With package weight: 900 g (2.0 lb.)
Material	Plastic
Operating Condition	-10 °C to 40 °C (-14 °F to 104 °F). Humidity 90% or less (non-condensing)
General Function	Mirror, password protection, watermark
Approval	
EMC	CE-EMC (EN 55032: 2015, EN 61000-3-2: 2019, EN 61000-3-3: 2013 + A1: 2019, EN 50130-4: 2011 + A1: 2014)
Safety	CB (IEC 62368-1: 2014 + A11), CE-LVD (EN 62368-1: 2014/A11: 2017)
Environment	CE-RoHS (2011/65/EU), Reach (Regulation (EC) No 1907/2006)
Protection	IP66 (IEC 60529-2013)

▪ Typical Application

Hikvision products are classified into three levels according to their anti-corrosion performance. Refer to the following description to choose for your using environment.

This model has NO SPECIFIC PROTECTION.

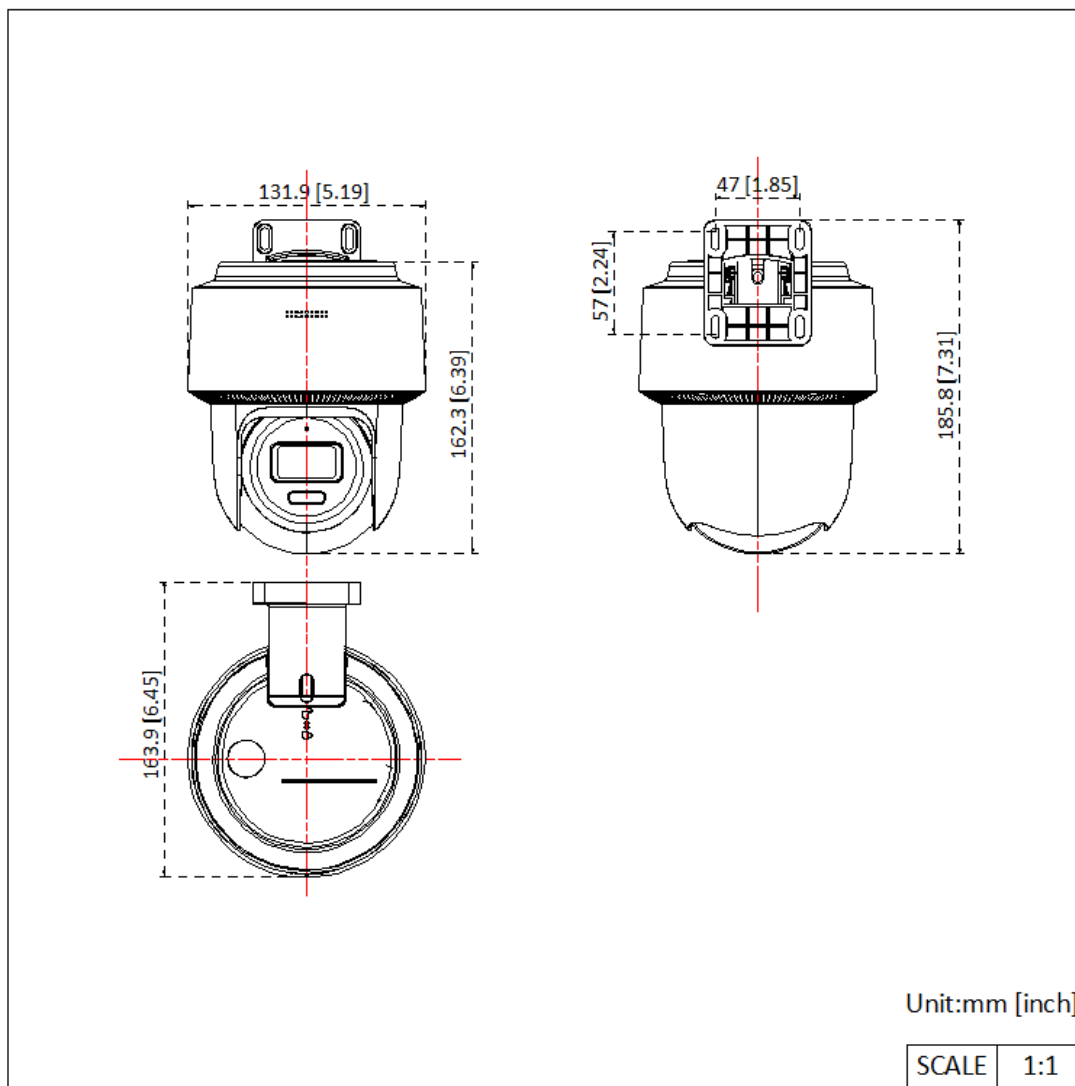
Level	Description
Top-level protection	Hikvision products at this level are equipped for use in areas where professional anti-corrosion protection is a must. Typical application scenarios include coastlines, docks, chemical plants, and more.
Moderate protection	Hikvision products at this level are equipped for use in areas with moderate anti-corrosion demands. Typical application scenarios include coastal areas about 2 kilometers (1.24 miles) away from coastlines, as well as areas affected by acid rain.
No specific protection	Hikvision products at this level are equipped for use in areas where no specific anti-corrosion protection is needed.

▪ **Available Model**

DS-2DE2C400MWG-E(4mm)

DS-2DE2C400MWG-E(2.8mm)

▪ **Dimension**



Headquarters

No.555 Qianmo Road, Binjiang District,
Hangzhou 310051, China
T +86-571-8807-5998
www.hikvision.com



Follow us on social media to get the latest product and solution information.

